

Date: \_\_\_\_\_ Project: \_\_\_\_\_  
Prepared for: \_\_\_\_\_ Type: \_\_\_\_\_  
Comments: \_\_\_\_\_

## EMERGENCY BATTERY UNIT

72W | LED DOUBLE HEAD



### SPECIFICATIONS

- Surface-Mount / Conduit-Mount
- Battery Life: 2+ Hours
- Battery Power: 72W
- LED Double Head (Tilt & 180° Rotation)
- Test Function
- Knockouts on Sides & Back
- Input Voltage: 120-347VAC
- Output Voltage: 12V DC
- IP40 - Suitable for Damp Locations
- Functioning Temperature: 0°C to 40°C

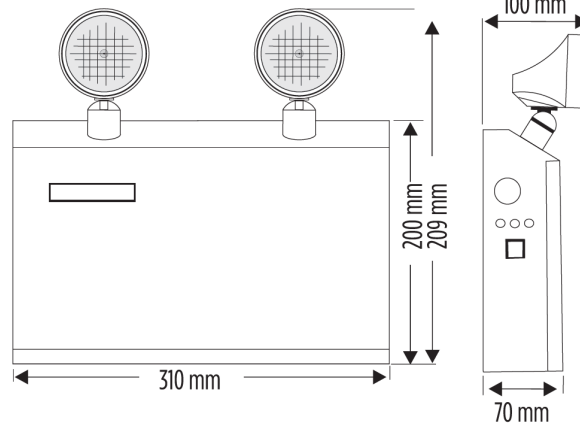
### AVAILABILITY

72W  
5000K  
120-347VAC

\*This icon indicates a STOCK item: Look for this Same Day Shipping icon below in 'Ordering Information' for products that ship out on the same day (orders must be placed before 3pm EST)



### DIMENSIONS



### CIRCUITRY

Lead-Acid Battery: 12V/7Ah Recharge Time: 24 Hours	
AC120V 50/60Hz	Input Wattage: 8W
	Input Current: 0.052A
	Efficiency: 0.85PF
AC347V 50/60Hz	Input Wattage: 10W
	Input Current: 0.040A
	Efficiency: 0.83PF
BATTERY VOLTAGE IS NEGATIVELY CORRELATED TO INPUT WATTAGE	

### ORDERING INFORMATION

SERIES	BATTERY LIFE	BATTERY POWER (WATTS)	LED POWER (WATTS)	LUMENS	EFFECTIVE BATTERY POWER AFTER LED (WATTS)	INPUT VOLTAGE	OUTPUT VOLTAGE	MODEL NUMBER
EMERGENCY BATTERY UNIT	2+ HOURS	72W	2 X 2W	2 X 160	68W	120-347VAC	12VDC	EX-BA2-72W-V1